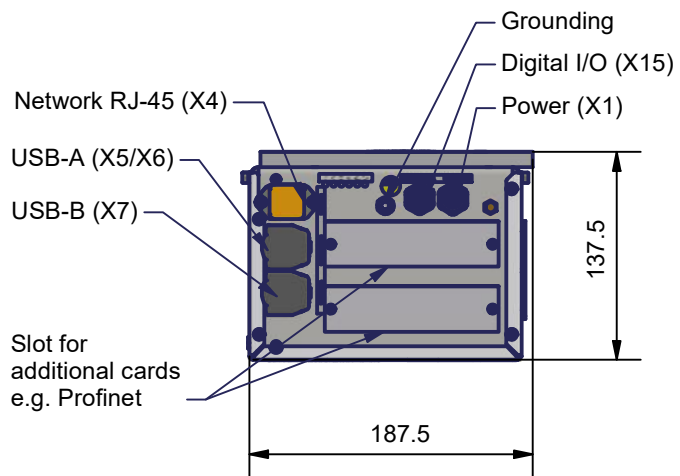
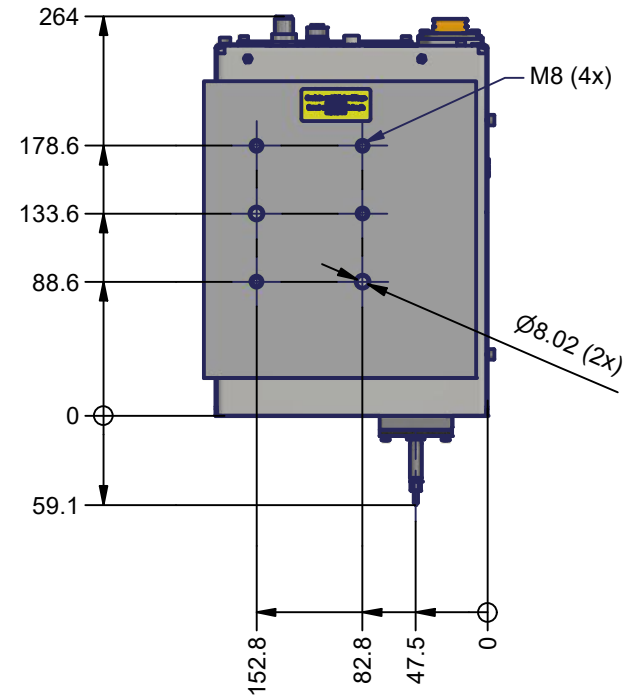
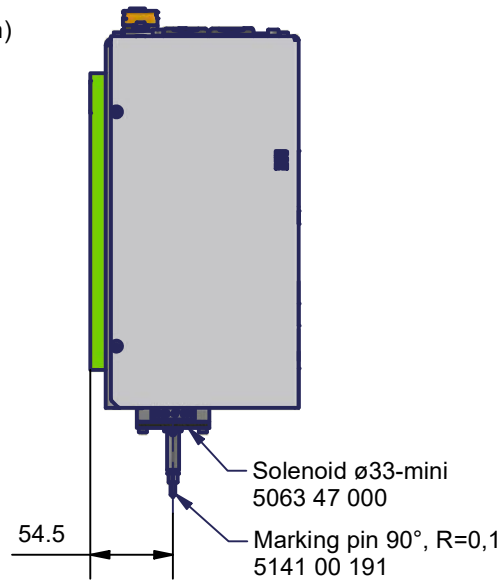
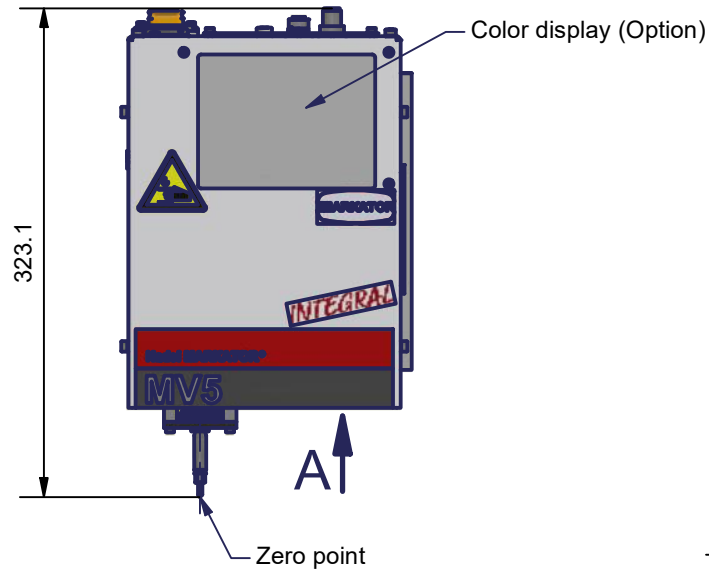
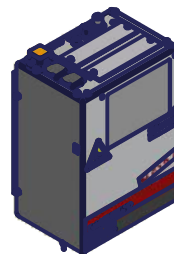


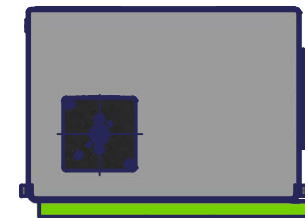
No.:	728_00_EN Version 00	Weight:	ca.4,0 kg	Scale:	1 : 5
Title:	Marking head MV5 U85/45 INTEGRAL With integrated controller and color display (option)	Scale unit:	mm	Created on:	10.12.2020



ISO view (1 : 10)



A (1 : 5)



Marking area:
x = 85 mm
y = 45 mm

subject to modifications