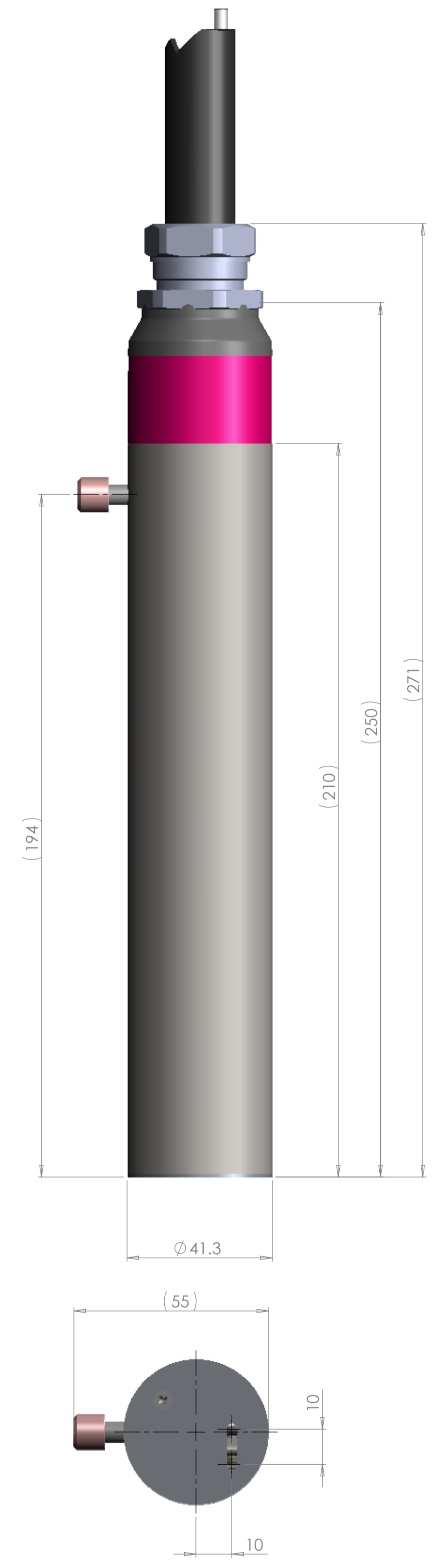
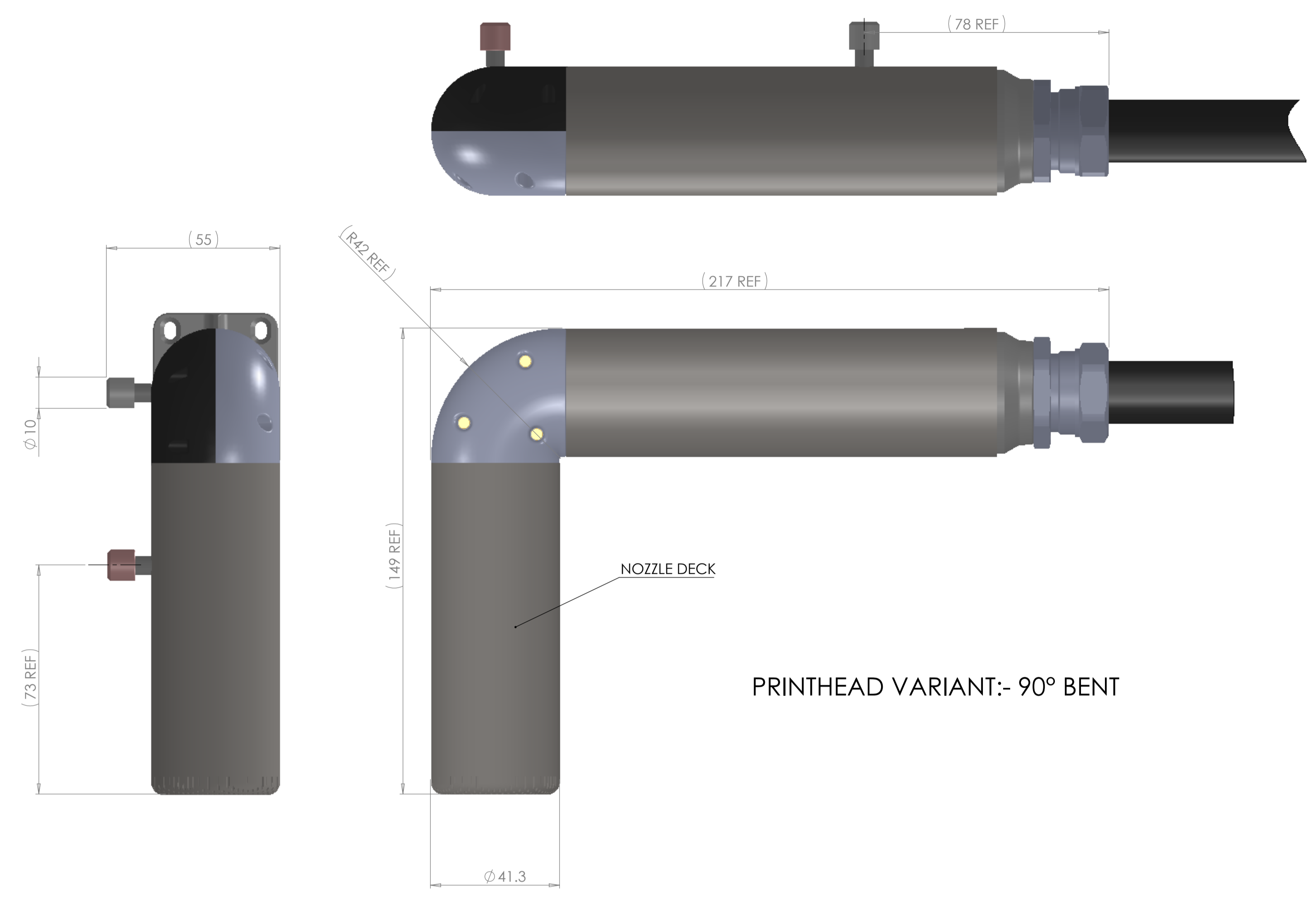


REV	SIG	DATE	INITIAL DRAWING	AMENDMENT
01	NB	06 Apr 2018	TABLE UPDATED	
02	NB	06 Apr 2018	TABLE UPDATED	
AA	SO	26 May 2018	ECO#V13657 (BETA RELEASE)	

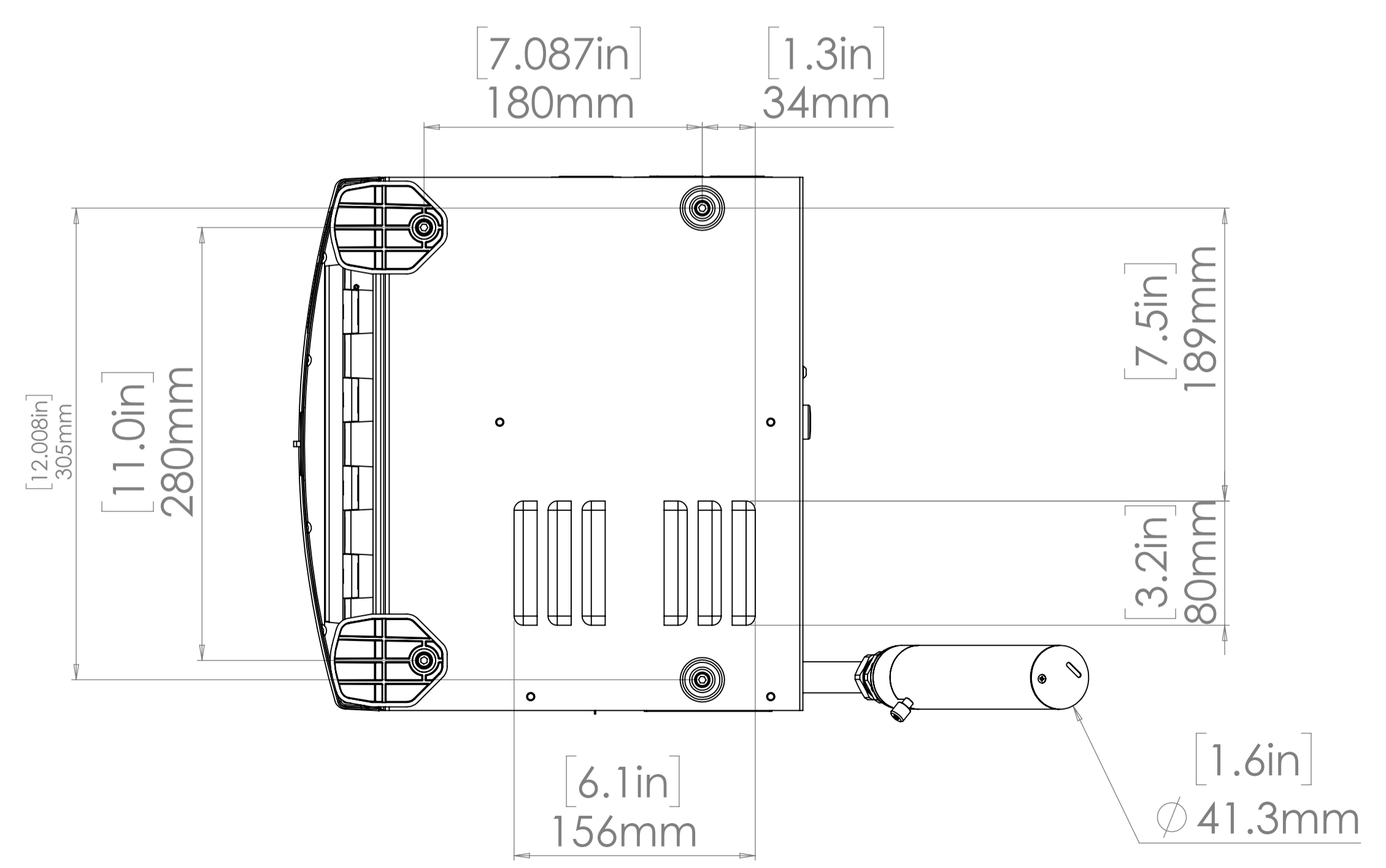
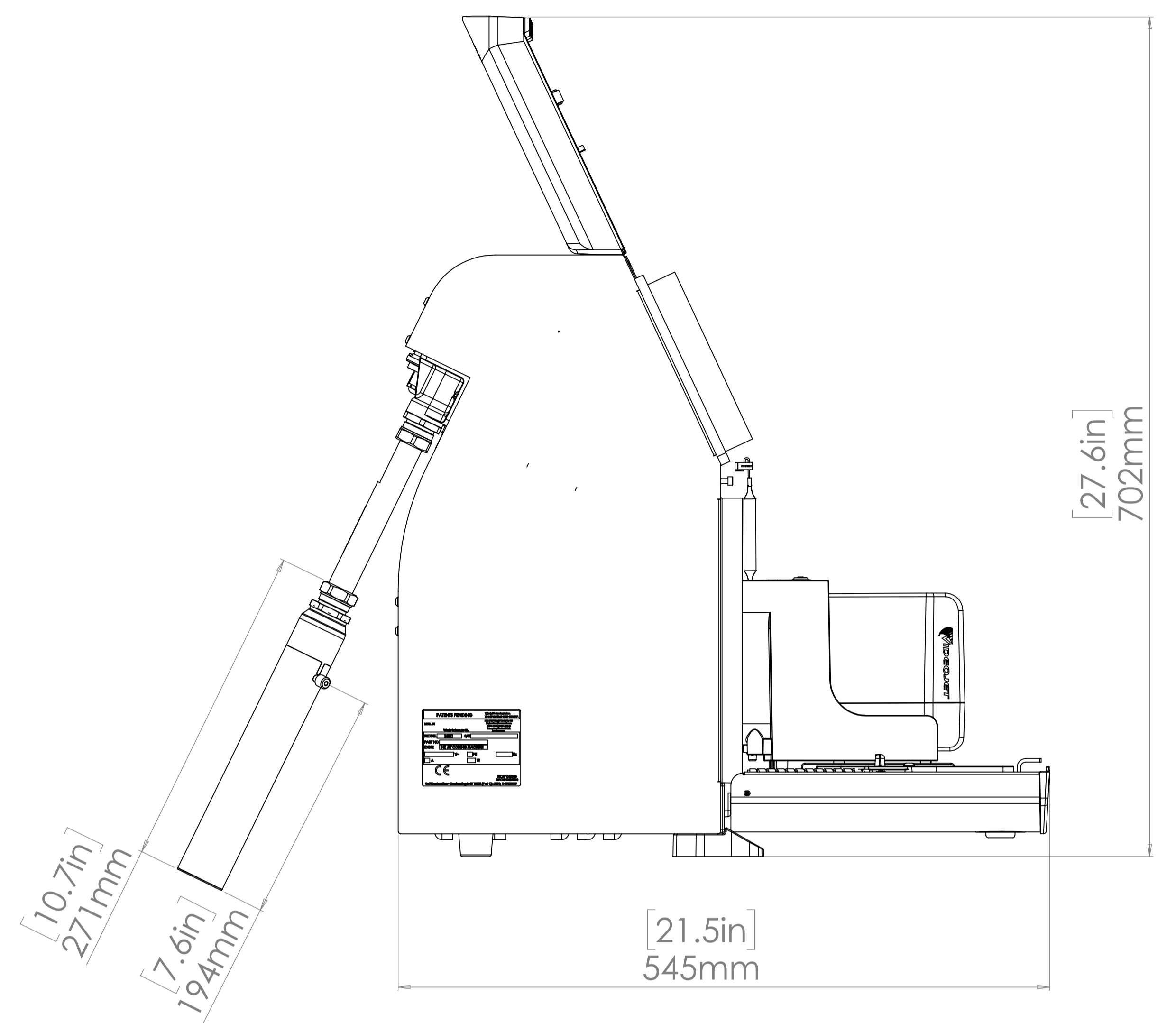
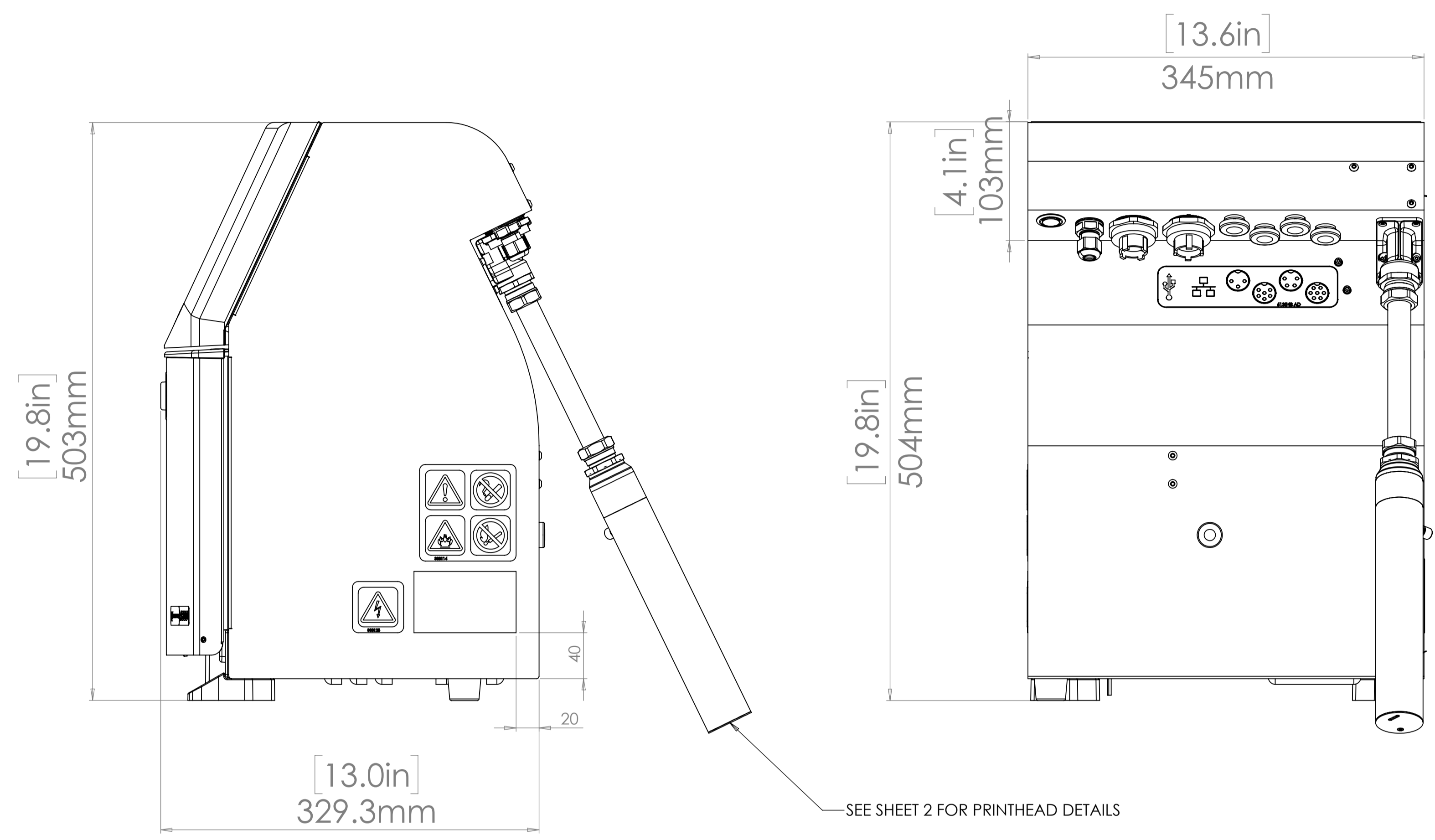


PRINthead VARIANT:- STRAIGHT



PRINthead VARIANT:- 90° BENT

COMPLIANT TO: W00-PM-5504	DIMENSIONS IN MILLIMETRES DO NOT SCALE - IF IN DOUBT ASK	SCALE 1:5	A1	0 10 20 30 40 50	VIDEOJET	HUNTINGDON, CAMBS, UK PE29 6XX
THIRD ANGLE PROJECTION	© VIDEOJET This drawing embodies confidential information which is the property of Videojet to whom the copyright in the drawing belongs. This drawing may not be copied or reproduced in whole or in part nor may it be used for any purpose other than that for which it is made available except with the prior written consent of Videojet. The provision of this drawing does not grant any rights under any industrial property rights of Videojet nor of any third party.	TOLERANCES UNLESS OTHERWISE STATED ANGULAR ± 0.5° ZERO DECIMAL PLACES ± 0.5 ONE DECIMAL PLACE ± 0.2 TWO DECIMAL PLACES ± 0.1 MACHINING 1.6 GENERAL FINISH	DRAWN S.Omer DATE 25 Jan 2018 CHKD NB DATE	MATERIAL SEE BOM	FINISH	PART No. SHT 1 OF 2 611315 AA
			APPD DATE	TITLE PHA_3m_70µm_1580		



COMPLIANT TO: W00-PM-5504	DIMENSIONS IN MILLIMETRES DO NOT SCALE - IF IN DOUBT ASK	SCALE 1:5	A1	0 10 20 30 40 50	VIDEOJET	HUNTINGDON, CAMBS, UK PE29 6XX
THIRD ANGLE PROJECTION	© VIDEOJET This drawing embodies confidential information which is the property of Videojet to whom the copyright in the drawing belongs. This drawing may not be copied or reproduced in whole or in part nor may it be used for any purpose other than that for which it is made available except with the prior written consent of Videojet. The provision of this drawing does not grant any rights under any industrial property rights or Videojet nor of any third party.	TOLERANCES UNLESS OTHERWISE STATED ANGULAR ± 0.5° ZERO DECIMAL PLACES ± 0.5 ONE DECIMAL PLACE ± 0.2 TWO DECIMAL PLACES ± 0.1 MACHINING 1.6 GENERAL FINISH	DRAWN SO DATE 06 Jan 2018 CHKD SO / PK DATE 05 Dec 2018 APPD DATE	MATERIAL SEE BOM	FINISH SEE NOTES	PART No. SHT 2 OF 2 611318 REV. AV
TITLE PRINTER ASSEMBLY_IP55_1580						